

SERCO

LOADERS

A GRYB COMPANY

LIFTING EXPECTATIONS

7500 SERIES



LIFTING EXPECTATIONS

You asked for it and we complied. Modeled after the very popular SERCO 7000, the SERCO 7500 has added lift capacity, bolt-on cylinder heads, high strength pins and bushings, as well as many other options. Its light weight, speed, strength, and reliability have made this model a great fit for multiple applications and industries.



Lift Capacity

7,776 lbs. lift capacity at 8.6 ft. radius (less weight of attachment).

Boom Reach

22 ft. knuckleboom options to 25ft and 22ft. boom with 3ft. squirt (25ft. overall).

Rotation

572 degrees on turntable bearing.

Stabilizers

Telescoping A-frame type with 110-5/8" spread at grade level for adjustment on uneven terrain.

Hydraulic System

Tandem hydraulic circuits to allow simultaneous operation without power loss.

Tandem gear pump providing 30 & 30 GPM at 1,400 pump RPM.

Stack type control valves located under seat for increased operator visibility and safety.

55 gallon truck frame mounted hydraulic reservoir with high capacity, 10-micron return line filter and removable access cover.

Folding joystick controls standard. 4-wire reinforced hoses in all pressure applications.

Oversize main pressure and return lines with bent tube-type fittings to eliminate heat problems.

Miscellaneous

- LED light kits.
- Full range of attachments including continuous rotation grapples.
- Side-mounted aluminum tank built to SERCO specifications.
- Bolt-on gland cylinders.



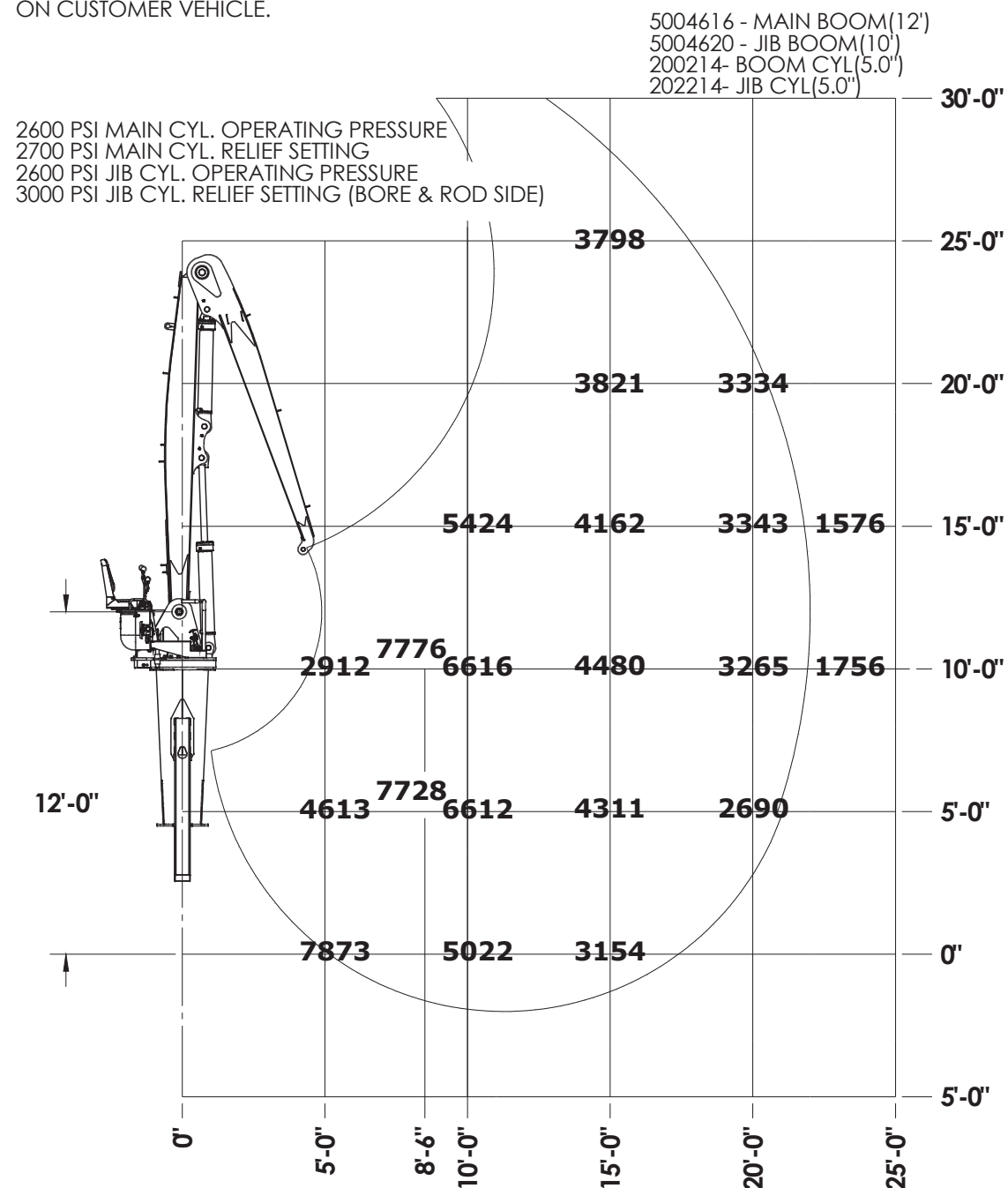
**NEXT-LEVEL
VERSATILITY**

LIFT DIAGRAM

Capacities shown are maximum theoretical lift capacities based on loader system pressure rating indicated, loader is mounted on adequately sized vehicle, stabilizers deployed in down position and the entire unit is on firm, level ground.

040635 - SERCO 7500 22FT. BOOM - RANGE/LIFT DIAGRAM

CAPACITIES SHOWN ARE MAXIMUM THEORETICAL LIFT CAPACITIES (LESS ATTACHMENT) BASED ON LOADER SYSTEM PRESSURE INDICATED. LOADER IS MOUNTED ON ADEQUATELY SIZED VEHICLE, STABILIZERS DEPLOYED IN DOWN POSITION AND THE ENTIRE UNIT IS ON FIRM, LEVEL GROUND. IT IS HIGHLY RECOMMENDED THAT PRIOR TO INSTALLATION OF THIS LOADER ONTO TRUCK THAT A STABILITY CALCULATION OR TEST BE PERFORMED TO ENSURE PROPER STABILITY AND OPERATION OF LOADER ON CUSTOMER VEHICLE.



SERCO 7500

KEY SPECIFICATIONS- SERCO 7500

Structure	Fabricated box type main & jib booms backed by the industry best, 3-year structural warranty
Pivots	2.5" boom pivots, 2" cylinder pivots
A-Frame Stabilizers	3" x 40" cylinders
Complete Motion	Main boom: 5.2 sec full down - full up Jib boom: 5.2 sec full in - full out
Slewing Ring	26.75" (679 mm) diameter, external tooth
Rotation Speed	17.6 RPM
Weight	5,900 lbs. (2,676 kg)
Operating Pressure	2,600 psi (bar)
Swing Torque	13,907 ft. lbs

BOOM LENGTH OPTIONS- SERCO 7500

Standard	22' (6.7 m)
Non-Telescopic	23' (7 m), 24' (7.3 m), and 25' (7.6 m). Most common 25'
Telescopic	22' with 3' (0.91 m) & 4' (1.2m) squirt extension. Maximum length 26' (8.23 m)

SERCO 7500 (22 ft./6.7 m) LOADER LIFT CAPACITY (lb/kg)

		DISTANCE FROM CENTER OF ROTATION (ft./m)			
		5 FT. / 1.5 m	10 FT. / 3 m	15 FT. / 4.5 m	20 FT. / 6 m
SERCO 7500 SERIES	HEIGHT				
	30 ft. / 9 m				
	25 ft. / 7.5 m			3,798 / 1,723	
	20 ft. / 6 m			3,821 / 1,733	3,334 / 1,512
	15 ft. / 4.5 m		5,424 / 2,460	4,162 / 1,888	3,343 / 1,516
	10 ft. / 3 m	2,912 / 1,321	6,616 / 3,001	4,480 / 2,032	3,265 / 1,481
	5 ft. / 1.5 m	4,613 / 2,092	6,612 / 2,999	4,311 / 1,955	2,690 / 1,220
	0 ft. / 0 m	7,873 / 3,571	5,022 / 2,278	3,154 / 1,431	

* Lifting capacities calculated at 100% operating pressure

* Lifting capacity is limited by stick boom hydraulic capacity

* Maximum load must never exceed - 7,873 lbs (3,571 kg)

We reserve the right to change specifications & improve our products without notice or obligation



YOUR NEW LOADER AWAITS!

CONTACT OUR TEAM TODAY!

(218) 834-5118

serco@sercoloaders.com

sercoloaders.com

