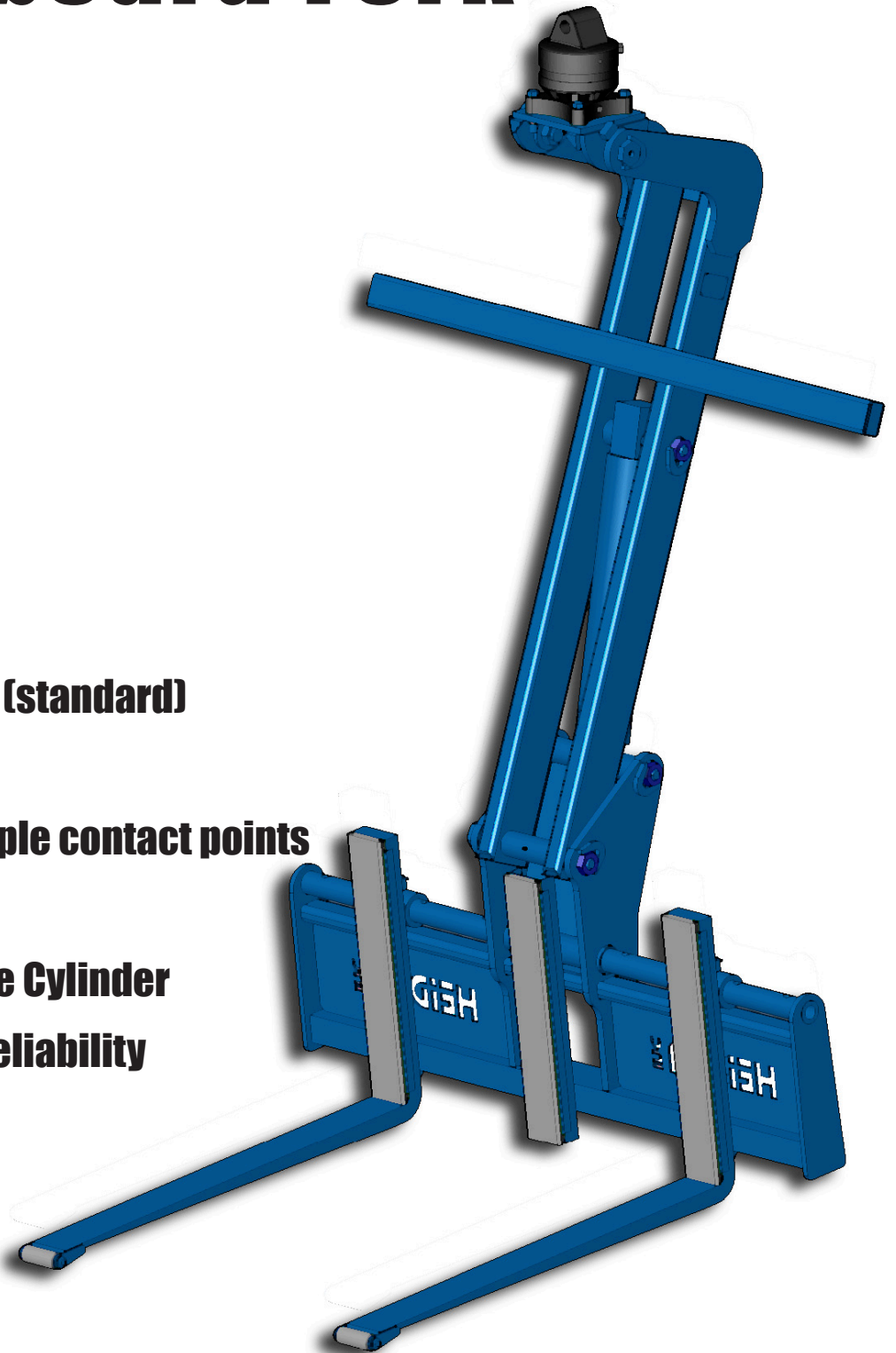


**HEIDEN**  
INC

# Crane Attachments

## Wallboard Fork

- **Adjustable to 60" wide (standard)**
- **Closes to apprx. 3.50"**
- **Tines slides with multiple contact points for years of service**
- **Heavy Duty Check Valve Cylinder**
- **Heiden Strength and Reliability**
- **Made in USA**



**Heiden Inc. 4624 Expo Drive Manitowoc, WI 54220**

**Phone: 888-682-5779**

**Fax: 920-682-3174**

**[www.heidenco.com](http://www.heidenco.com)**

# WallBoard Fork

## Wallboard Forks:

## Model

## Retail

**A = Load Height**

**B = Board Width**

**C = Maximum Fork Spread**

**HCS-19-4860**

**HCS-19-5460**

**HCS-24-4860**

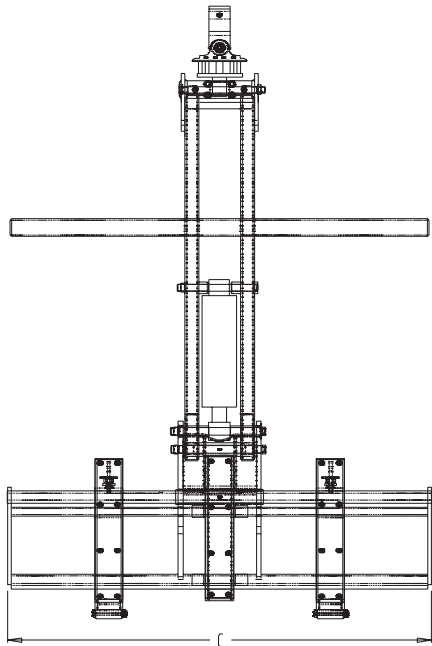
**HCS-24-5460**

**Call for Quote**

**Call for Quote**

**Call for Quote**

**In Stock**



**Custom Sizing Available**

**Priced with 360° Continuous Rotation**

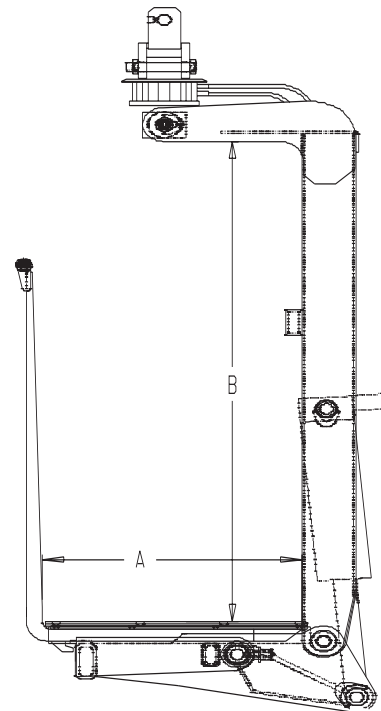
**Includes rotator for braked positioning**

## Wall Board Fork

**A = Nominal 19" (Fits 17"/19")  
22" (fits 22"/24")**

**B = Nominal 48", 54"**

**C = Nominal 60", 72", 84"**



**Heiden Inc.**

**4624 Expo Drive**

**Manitowoc, WI 54220**

**Phone: 888-682-5779**

**Fax: 920-682-3174**

**www.heidenco.com**