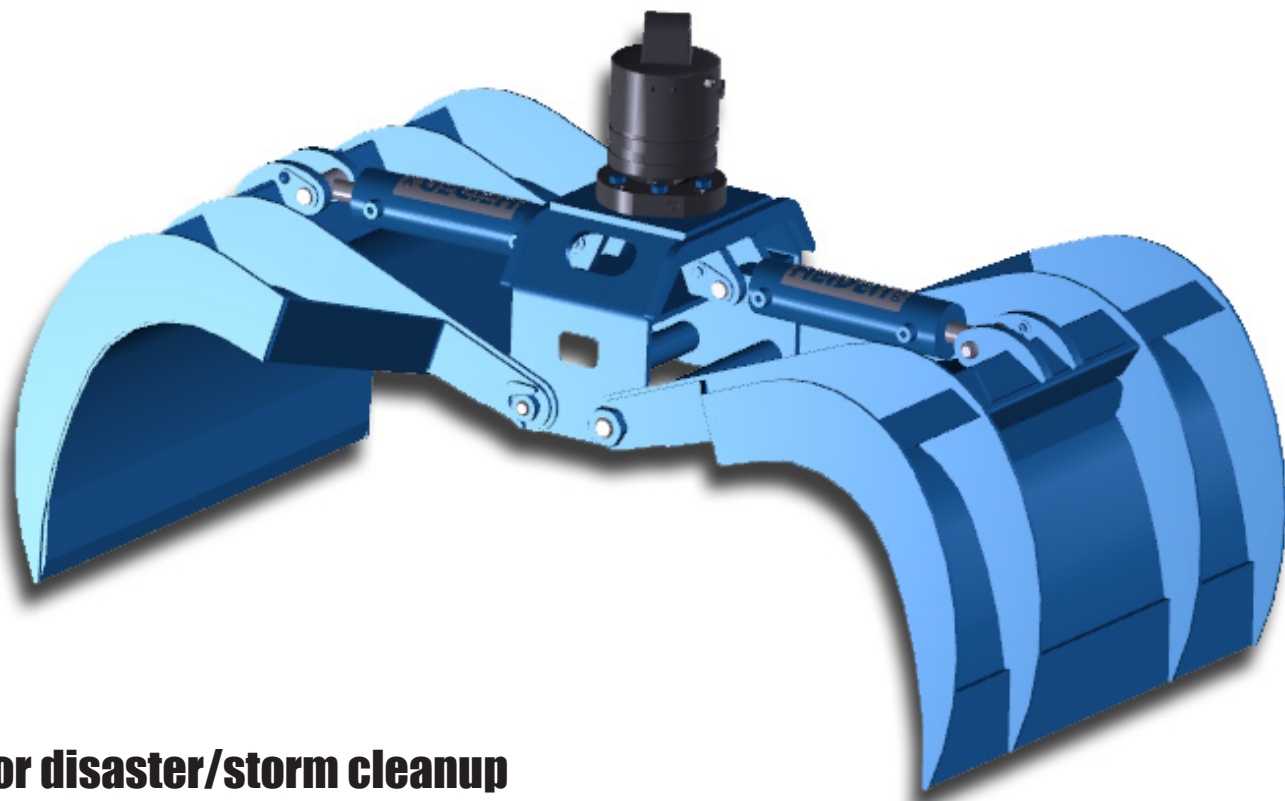


**HEIDEN  
INC**

# **Crane Attachments**

## **Trash Grapples**

### **20 Series**



- **Ideal for disaster/storm cleanup**
- **Municipalities-curb side pickup of heavy items, refrigerators, mattresses, etc.**
- **Recycling centers-tires, mulch, etc.**
- **Widths to 60", 42" in stock**
- **Heavy duty rotator standard**
- **Made in the USA**

**Heiden Inc.    4624 Expo Drive    Manitowoc, WI 54220**

**Phone: 888-682-5779**

**Fax: 920-682-3174**

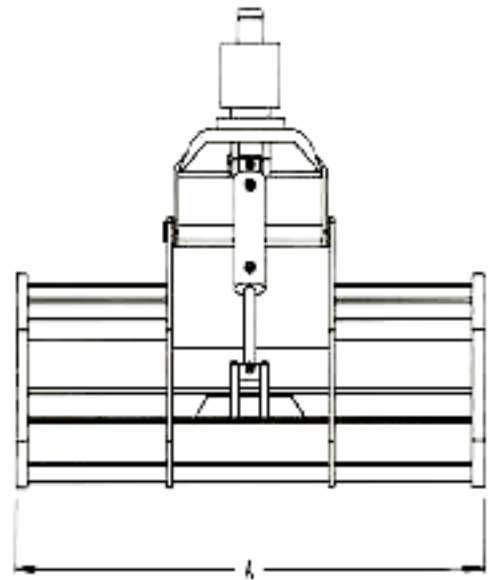
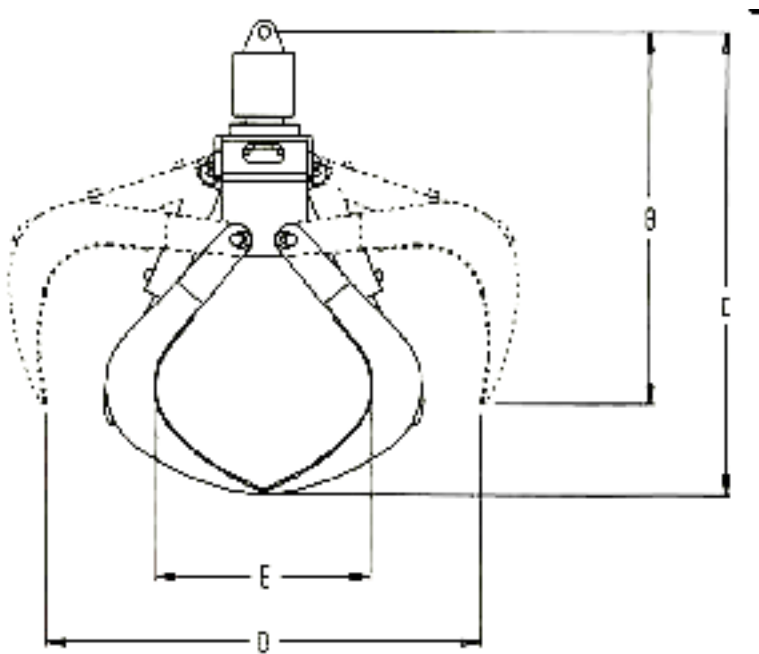
**[www.heidenco.com](http://www.heidenco.com)**

# Trash Grapples 20 Series

Part #	A	B	C	D	E	(Lbs)
--------	---	---	---	---	---	-------

HC20-TG-3/42	42"	40"	58"	70"	32"	1000
--------------	-----	-----	-----	-----	-----	------

HC20-TG-4/42	42"	38"	53"	62"	28"	940
--------------	-----	-----	-----	-----	-----	-----



**Heiden Inc.    4624 Expo Drive    Manitowoc, WI 54220**

**Phone: 888-682-5779**

**Fax: 920-682-3174**

**www.heidenco.com**