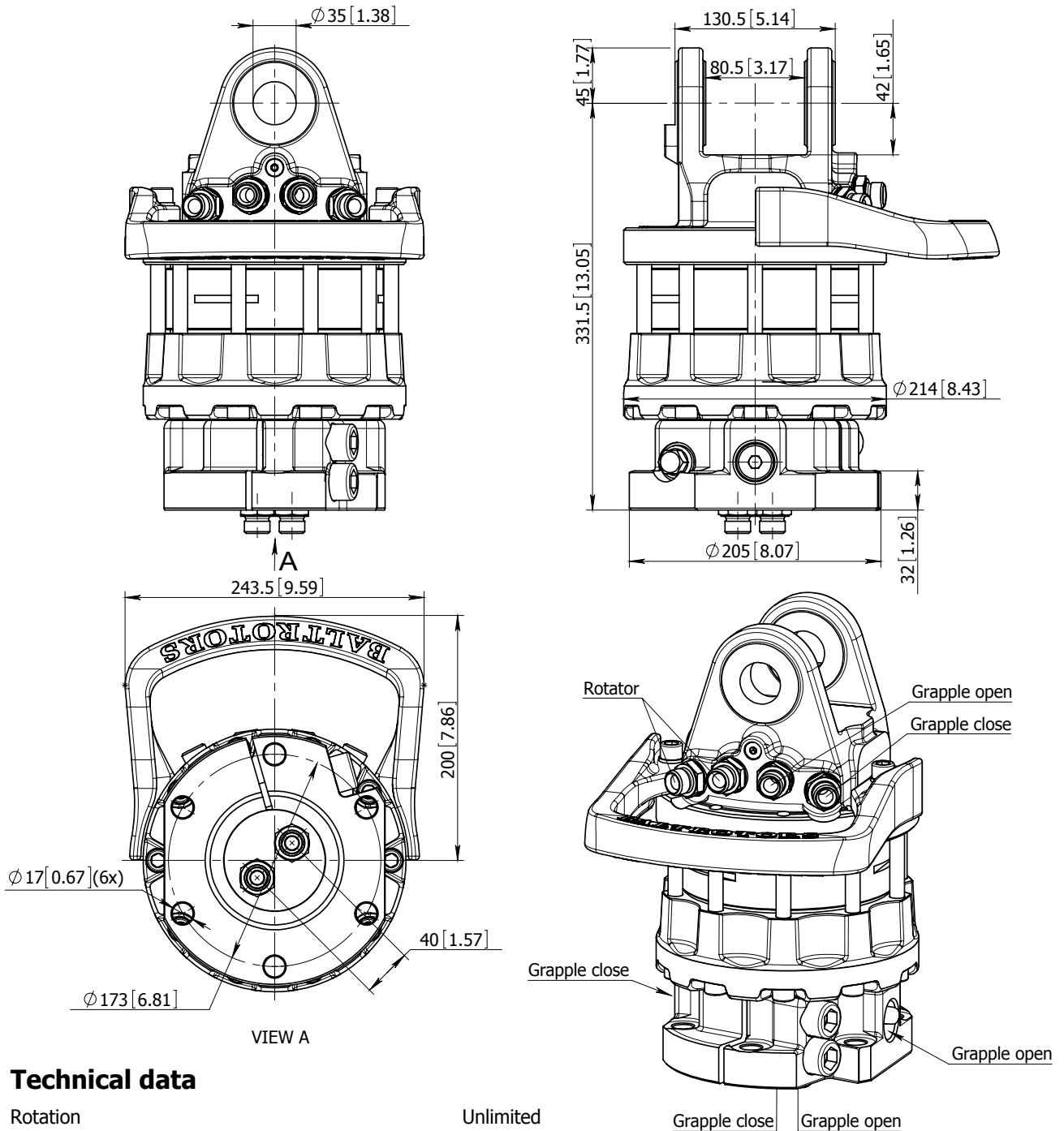


# ROTATOR GR104DB



## Technical data

Rotation	Unlimited
Max axial load static, KN (lbf)	+100 (22485) - 80 (17985)
Max axial load dynamic, KN (lbf)	+50 (11242) - 40 (8992)
Torque at 25Mpa (3625psi), Nm (lb ft)	2500 (1844)
Rec oilflow, l/min (US gallon)	30 (7.9)
Weight, kg (lb)	59 (130)

### Max working pressure:

Rotator	<b>←R→</b>	Max 25 MPa (3625 psi)	G 1/2"
Grapple / Tool open	<b>←G→</b>	Max 30 MPa (4350 psi)	G 1/2"
Grapple / Tool close	<b>→G←</b>	Max 30 MPa (4350 psi)	G 1/2"

### Connection:



# ROTATOR GR104DB

## List of parts

Pos.	Part	Title	Quantity	Notes
1	GR 104 DB.01	Stator plate, upper	1	
2	GR 104.02-01	Stator plate, lower	1	
3	GR 104 DB.006	Rotator shaft	1	
4	GR 104.007	Stator frame	1	
5	GR 104.010-05	Link, lower	1	
6	GR 104.03	Hose guard	1	
7	MTR 104.008	Vane	8	
8	HR 10 S.020	Shim	1	
9	MTR 45.011-01	Shim	1	
10	HR 10 S.021	Washer	1	
11	GR 16.011	Wedge	1	
12	GR 16.012	Bung	1	
13	MTR 100.013-01	Locking screw	1	
14	MT 0219	Nipple	2	
15	G213.12009	Axial bearing	1	
16	G213.12020	Axial needle bearing	1	
17	MTR 100.009	Spring	24	
18	G104.112	Bonded seal	8	
19	G117.1311	Nipple	6	
20	G104.135	Plug	2	
21	G111.1415	Screw	2	
22	G111.1417	Screw	10	
23	G111.143	Spring washer	2	
24	G111.1420	Screw	2	
25	G111.147	Washer	2	
26	G111.145	Cup spring	3	
27	G111.1421	Pin	4	
28	G111.1422	Pin	4	
29	G104.133	Plug	1	
30	G213.12027	Ball	2	
31	G209.11004	Spring	1	
32	G104.139	Magnetic plug	1	
33	G104.113	Bonded seal	1	
<b>Seal kit</b>				
34	G102.1113	Glide ring	3	
35	G102.1115	Glide ring	2	
36	G102.1110	O-ring	2	
37	G102.1124	V - seal	1	