

HEIDEN
INC

Crane Attachments

Railroad Tie Grapple

20 Series



- **Straight Tine Ends Engineered for Removing Rail Ties from Railroad Cars**
- **1-1/2" Thick Tines for Extra Heavy Duty Service**
- **Jaws Are Replaceable And Exchangeable**
- **All Components are Hi Tensil Steel**
- **Heiden's Proven Head Design Inherently Good for Bucking Ties**
- **Made in USA**

Heiden Inc. 4624 Expo Drive Manitowoc, WI 54220

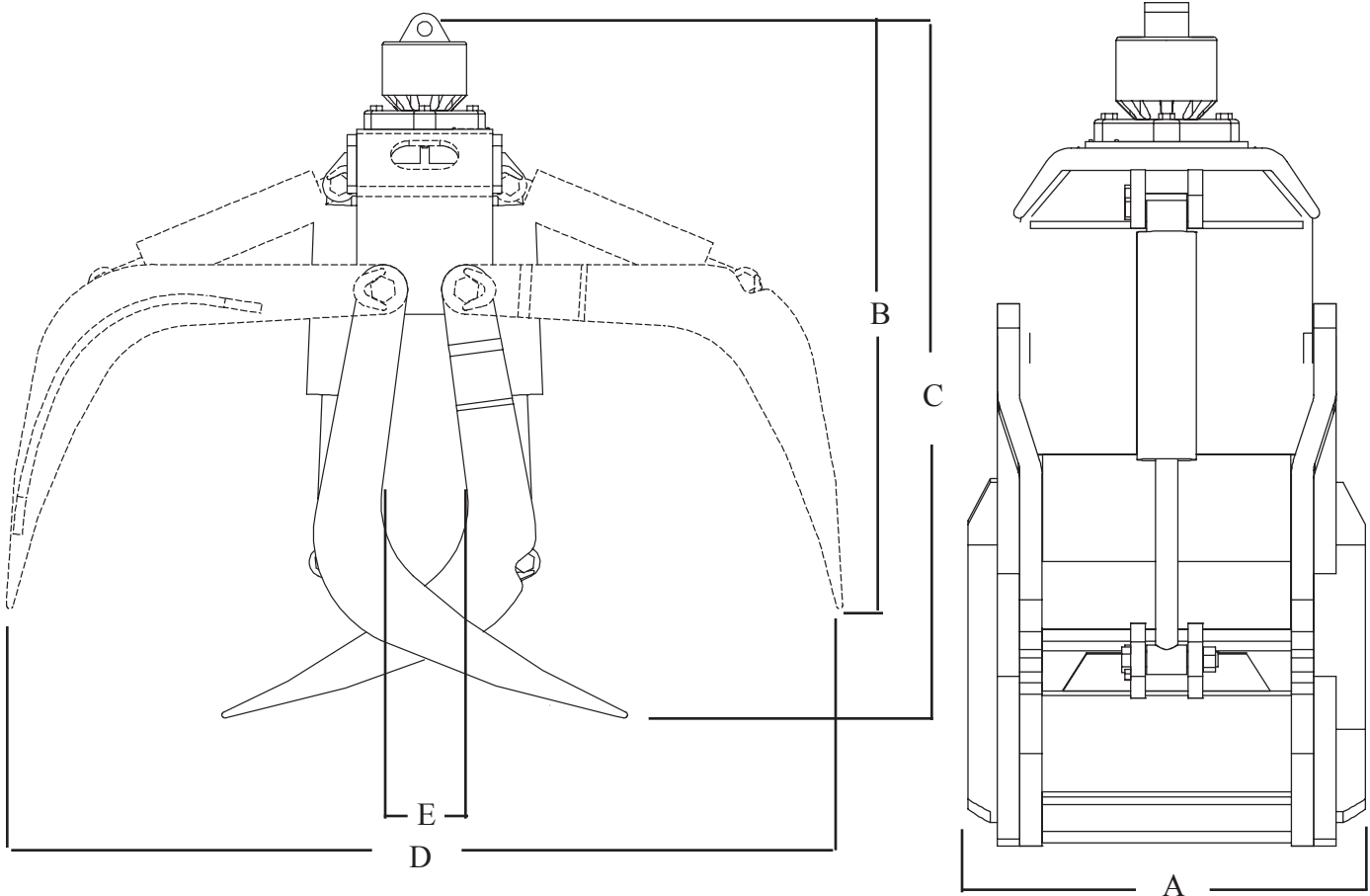
Phone: 888-682-5779

Fax: 920-682-3174

www.heidenco.com

20 Series Railroad Tie Grapple

Part #	A	B	C	D	E
HC20-AHR-3	27"	50"	60"	73"	7"
HC20-AHR-4	27"	47"	56"	66"	7"



Heiden Inc. 4624 Expo Drive Manitowoc, WI 54220

Phone: 888-682-5779

Fax: 920-682-3174

www.heidenco.com