

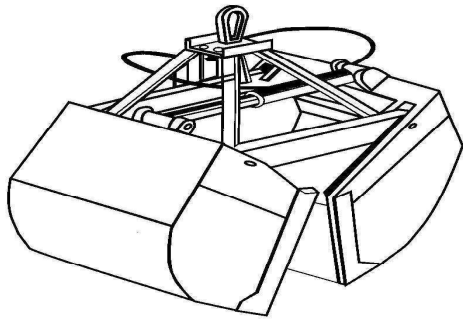
HEIDEN INC

Super Clam:

MODEL #	CAP. CUBIC YD.	BITE OPENING	DIGGING WIDTH	WEIGHT	HEIGHT CLOSED	OPTIONS
HC30112	1/2	78 1/4"	24"	615#	44"	5 digging teeth
* HC30123	2/3	78 1/4"	32"	680#	44"	5 digging teeth
HC30133	1	78 1/4"	48"	940#	44"	11 digging teeth

Horizontally mounted hydraulic cylinder(s); quick loading, check valve standard
 1/2 AND 2/3 YARD HAVE ONE HYDRAULIC CYLINDER, 1 YARD HAS TWO

* Can be fitted with Remote Power Pack, 35 sec. full cycle time, 1/2-3/4" gravel max.



SUPER CLAM

